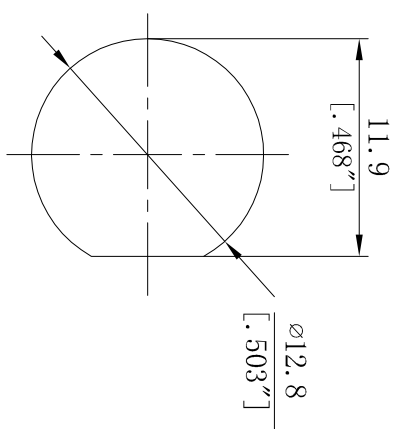
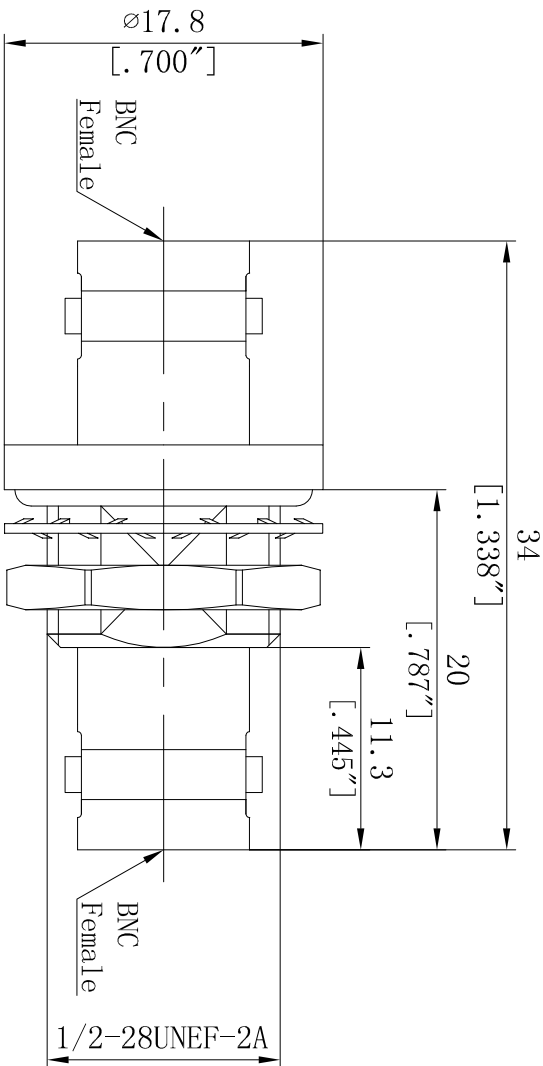


P	LTR	DATE	DM	APVD
—	—	—	—	—



Mounted Size

NOTES:

1.ELECTRICAL:

- 1.1 IMPEDANCE: 50Ω
- 1.2 INSULATION RESISTANCE:5000MΩ MIN
- 1.3 FREQUENCY RANGE: DC~4GHz
- 1.4 DIELECTRIC WITHSTANDING VOLTAGE: 750V MAX AT SEA LEVEL
- 1.5 VSWR≤1.15:1@4GHz
- 1.6 INSERTION LOSS: 0.2 DB

2.ENVIRONMENTAL:

- 2.1 TEMPERATURE RANGE: -55° to +165°

3.MATERIAL AND FINISH:

- 3.1 BODY: BRASS, NICKEL PLATING
- 3.2 CENTER CONTACT: PHOSPHOR BRONZ, GOLD PLATING
- 3.3 DIELECTRIC: PTFE, N/A

THIS DRAWING IS A CONTROLLED DOCUMENT.		DWN	DWP	25/07/2015	Jiangsu Zhecl Microwave Technology Co., Ltd.	
DIMENSIONS MM		CHK	APVD		NAME	
TOLERANCES UNLESS OTHERWISE SPECIFIED:		PRODUCT SPEC		BNC Female TD BNC Female Adapter		
0 PLC ±0.25	1 PLC ±0.15	APPLICATION SPEC		SIZE	CAGE CODE	DRAWING NO
2 PLC ±0.12	3 PLC ±	WEIGHT		A4	00779	BNC-50KYY
ANGLES 4°	4°	CUSTOMER DRAWING		SCALE	1	SHEET
MATERIAL SEE TABLE		FINISH SEE TABLE		1	OF	1
SEE TABLE		SEE TABLE		1	RVE	1