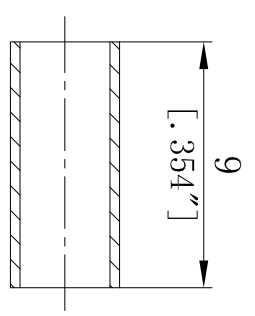
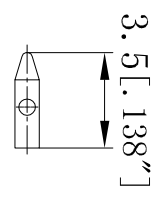
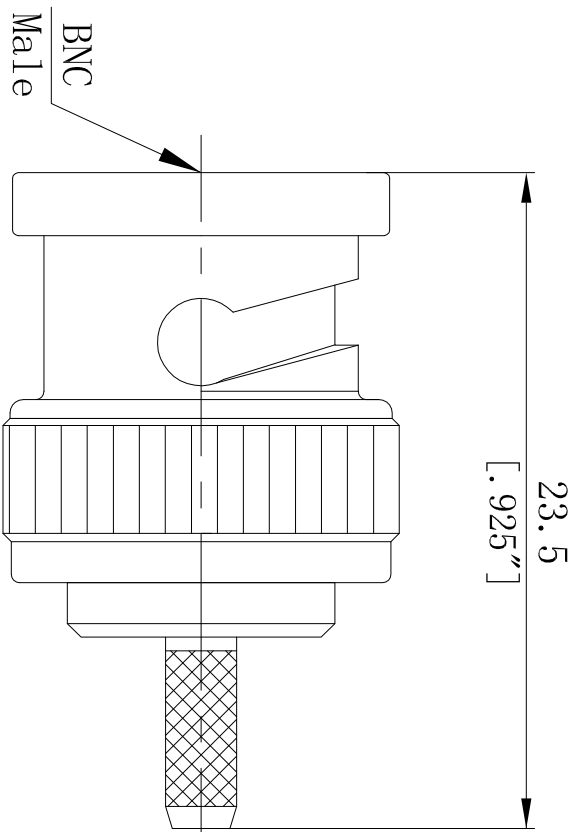


LOC	DIST	P	LTR	DATE	DMN	APVD
—	—	—	—	—	—	—



- NOTES:
1. ELECTRICAL:
- 1.1 IMPEDANCE: 50Ω
 - 1.2 INSULATION RESISTANCE: 5000MΩ MIN
 - 1.3 FREQUENCY RANGE: DC~3GHz
 - 1.4 DIELECTRIC WITHSTANDING VOLTAGE: 1000V MAX AT SEA LEVEL
 - 1.5 VSWR ≤ 1.20:1 @ 3GHz
2. ENVIRONMENTAL:
- 2.1 TEMPERATURE RANGE: -55° to +165°
3. MATERIAL AND FINISH:
- 3.1 BODY: BRASS, NICKEL PLATING
 - 3.2 NUT: BRASS, NICKEL PLATING
 - 3.3 CENTER CONTACT: BRASS, GOLD PLATING
 - 3.4 DIELECTRIC: PTFE, N/A

THIS DRAWING IS A CONTROLLED DOCUMENT.

DMN	DWP	17/12/2018
CHK		

Jiangsu ZDecl Microwave Technology Co., Ltd.

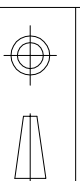
NAME: BNC Male Connector TO RG316 Cable

SIZE: A4
PAGE CODE: 00779
DRAWING NO: BNC-J1.5C

SCALE: 2:1
SHEET: 1 OF 1
R/E: 1

TOLERANCES UNLESS OTHERWISE SPECIFIED:

0 P/C	±0.25
1 P/C	±0.15
2 P/C	±0.12
3 P/C	±
ANGLES	±1°



SEE TABLE

SEE TABLE

SEE TABLE

CUSTOMER DRAWING

4 3 2 1