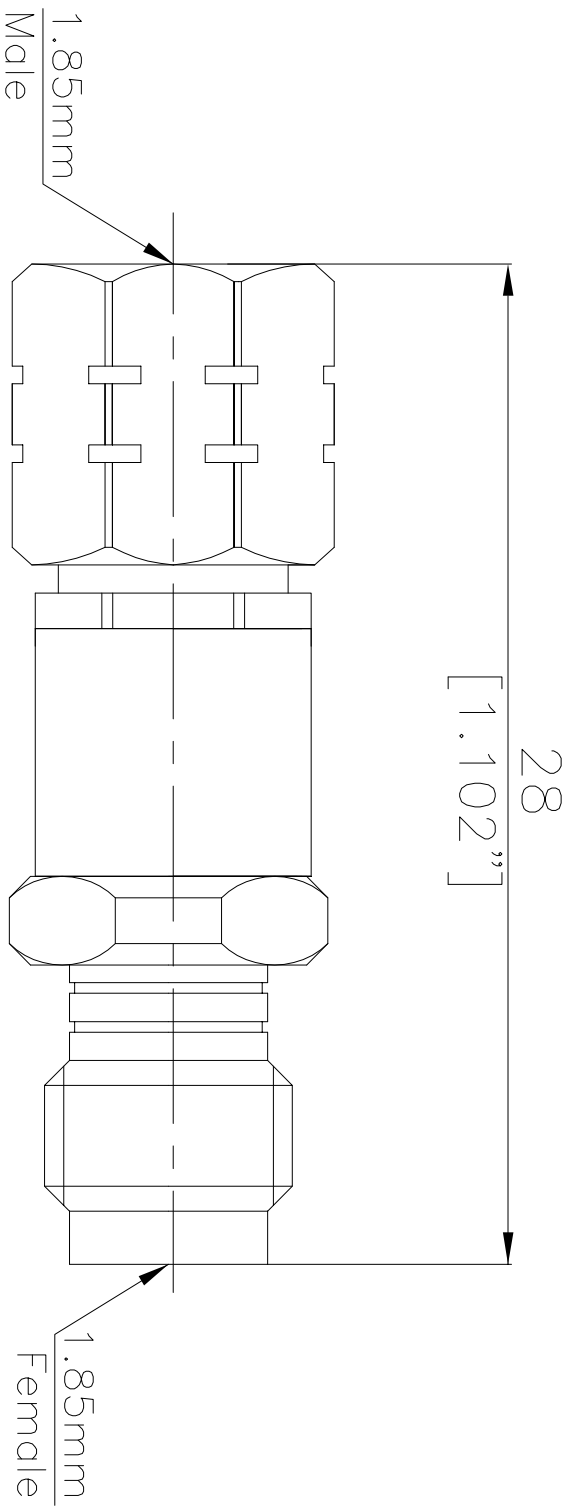


LOC	DIST	P	LTR	DATE	DMN	APVD
—	—	—	—	—	—	—

REVISIONS

NO.	DATE	DMN	APVD
—	—	—	—



NOTES:

- 1.ELECTRICAL:
 - 1.1 IMPEDANCE: 50Ω
 - 1.2 INSULATION RESISTANCE:5000MΩ MIN
 - 1.3 FREQUENCY RANGE: DC~67GHZ
 - 1.4 DIELECTRIC WITHSTANDING VOLTAGE: 1000V MAX AT SEA LEVEL
 - 1.5 VSWR≤1.30:1@67GHZ
 - 1.6 INSERTION LOSS: 0.3dB

- 2.ENVIRONMENTAL:
 - TEMPERATURE RANGE: -55° to +165°

3.MATERIAL AND FINISH:

- (1) BODY: STAINLESS STEEL, PASSIVATE
- (3) CENTER CONTACT: BERYLLIUM COPPER, GOLD PLATING
- (4) DIELECTRIC: PEI, N/A

THIS DRAWING IS A CONTROLLED DOCUMENT. DMN DWP 17/12/2018

DIMENSIONS MM	TOLERANCES UNLESS OTHERWISE SPECIFIED:	APVD	NAME
0 P/C ±0.25	1 P/C ±0.15	—	Jiangsu Zdecl Microwave Technology Co., Ltd.
2 P/C ±0.12	2 P/C ±	PRODUCT SPEC	1.85mm Male TO 1.85mm Female Adapter
3 P/C ±	3 P/C ±	APPLICATION SPEC	SIZE CAGE CODE DRAWING NO
ANGLES 1°	ANGLES 1°	WEIGHT	A4 00779 1.85mm-JK

MATERIAL	FINISH	CUSTOMER DRAWING	SCALE
SEE TABLE	SEE TABLE	—	2: 1