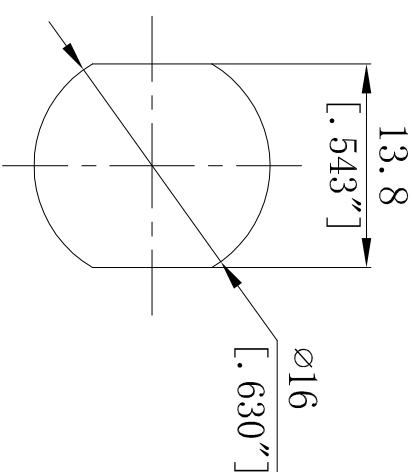
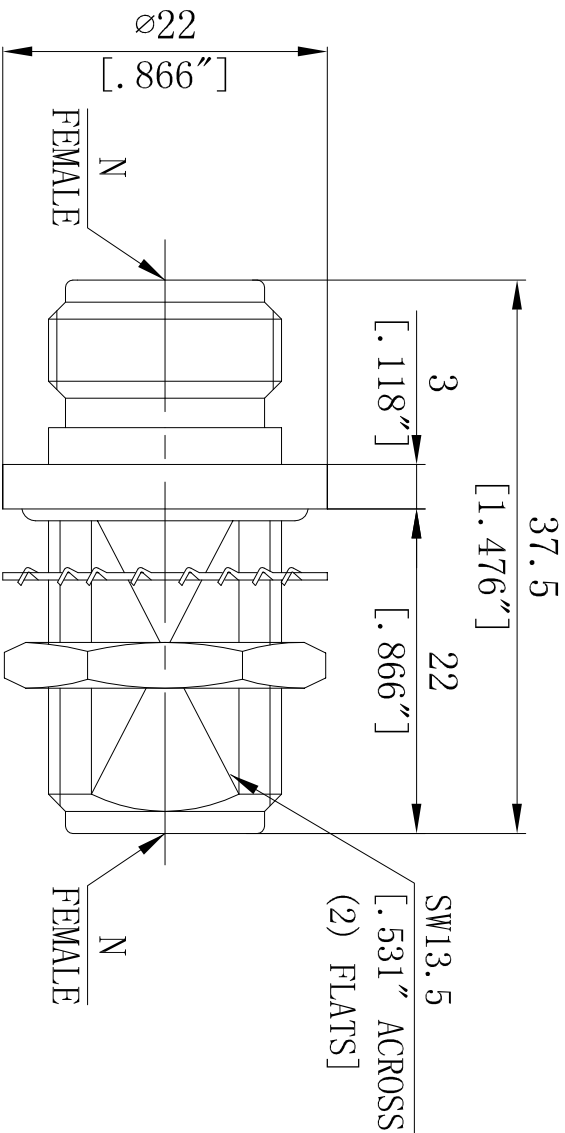


REV	DATE	DMN	APVD
—	—	—	—



Mounting Hole Dimension

NOTES:

1. ELECTRICAL:

- 1.1 IMPEDANCE: 50Ω
- 1.2 INSULATION RESISTANCE: 50000MΩ MIN
- 1.3 FREQUENCY RANGE: DC~18GHz
- 1.4 DIELECTRIC WITHSTANDING VOLTAGE: 1000V MAX AT SEA LEVEL
- 1.5 VSWR ≤ 1.20:1 @ 18GHz
- 1.6 INSERTION LOSS: 0.3 dB

2. ENVIRONMENTAL:

- 2.1 TEMPERATURE RANGE: -55° to +165°

3. MATERIAL AND FINISH:

- 3.1 BODY: STAINLESS STEEL, PASSIVATE
- 3.2 CENTER CONTACT: BERYLLIUM COPPER, GOLD PLATING
- 3.3 DIELECTRIC: PEI, N/A

THIS DRAWING IS A CONTROLLED DOCUMENT.

DMN	DWP	17/12/2018	<p>Jiangsu Zdecl Microwave Technology Co., Ltd.</p>
CHK			
DIMENSIONS		TOLERANCES UNLESS OTHERWISE SPECIFIED:	
MM	0 P.C.	±0.25	APVD
	1 P.C.	±0.15	PRODUCT SPEC
	2 P.C.	±0.12	APPLICATION SPEC
	3 P.C.	±	WEIGHT
	ANGLES	±1°	CUSTOMER DRAWING
FINISH		NAME	
SEE TABLE		N Female TO N Female Adapter	
MATERIAL		SIZE	DRAWING NO
SEE TABLE		A4	00779
		SCALE	2: 1
		SHEET	1 OF 1
		R/E	1

4 3 2 1

A B C D