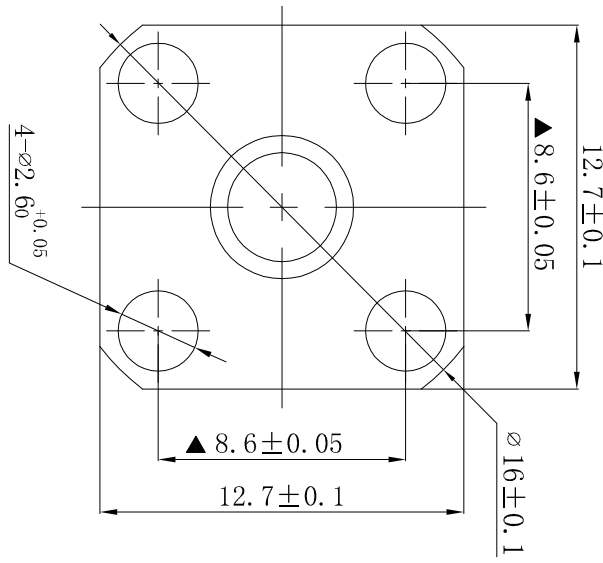
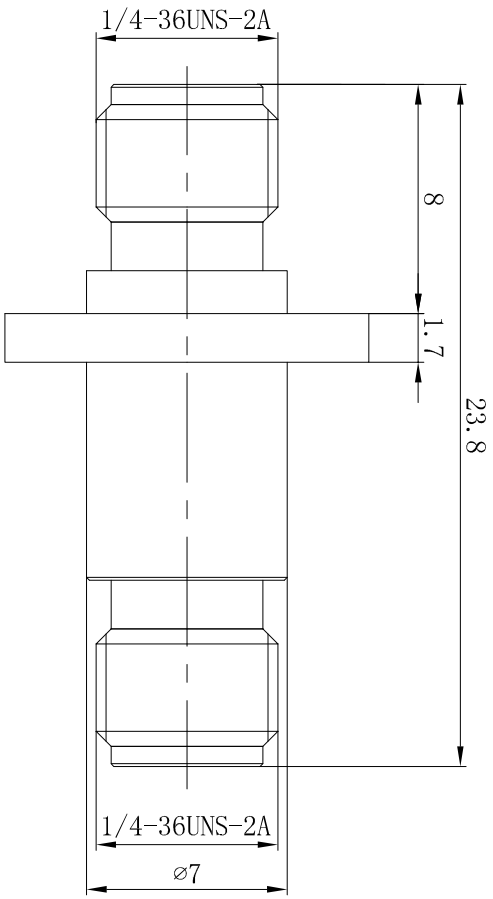


REV	DATE	DMN	APVD
1			



NOTES:

1. ELECTRICAL:

- 1.1 IMPEDANCE: 50Ω
- 1.2 INSULATION RESISTANCE: 50000MΩ MIN
- 1.3 FREQUENCY RANGE: DC~26.5GHZ
- 1.4 DIELECTRIC WITHSTANDING VOLTAGE: 1000V MAX AT SEA LEVEL
- 1.5 VSWR ≤ 1.20:1 @ 26.5GHZ
- 1.6 INSERTION LOSS: 0.1dB

2. ENVIRONMENTAL:

- 2.1 TEMPERATURE RANGE: -55° to +165°

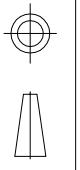
3. MATERIAL AND FINISH:

- 3.1 BODY: STAINLESS STEEL TYPE 303, PASSIVATE
- 3.2 NUT: STAINLESS STEEL TYPE 303, PASSIVATE
- 3.3 CENTER CONTACT: BERYLLIUM COPPER, GOLD PLATING
- 3.4 DIELECTRIC: PTFE, N/A

THIS DRAWING IS A CONTROLLED DOCUMENT.

DIMENSIONS	MM
0 P/C	±0.25
1 P/C	±0.15
2 P/C	±0.12
3 P/C	±
ANGLES	±1°

TOLERANCES UNLESS OTHERWISE SPECIFIED:



FINISH

SEE TABLE

SEE TABLE

DMN	DWP	17/12/2018
CHK		

Jiangsu ZDeci Microwave Technology Co., Ltd.

APVD	
------	--

NAME

PRODUCT SPEC	
--------------	--

SMA Female TO SMA Female Flange Adapter

APPLICATION SPEC	
------------------	--

SIZE

WEIGHT	
--------	--

SCALE

CUSTOMER DRAWING	
------------------	--

SMA-KKF

4

3

2

1

A

B

C

D

A

B

C

D