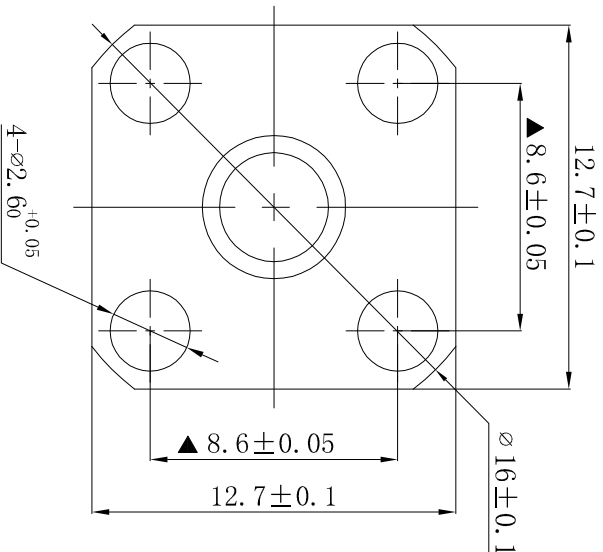
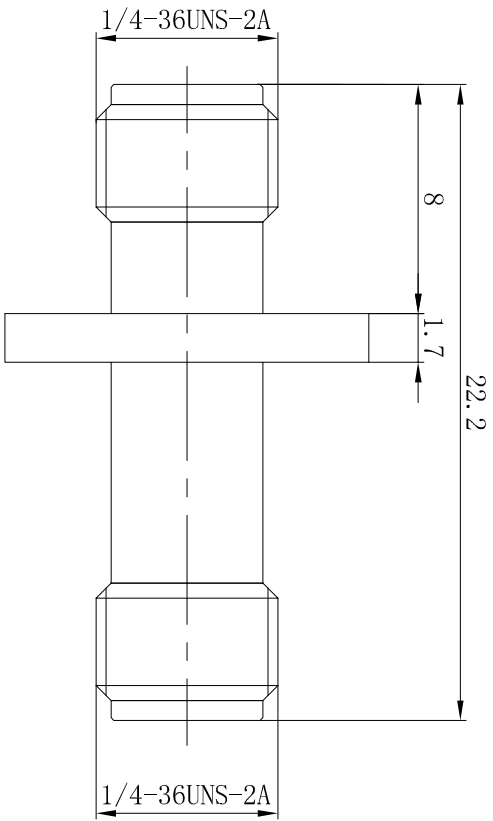


REV	DATE	DMN	APVD
1			



NOTES:

1. ELECTRICAL:

- 1.1 IMPEDANCE: 50Ω
- 1.2 INSULATION RESISTANCE: 50000MΩ MIN
- 1.3 FREQUENCY RANGE: DC~18GHz
- 1.4 DIELECTRIC WITHSTANDING VOLTAGE: 1000V MAX AT SEA LEVEL
- 1.5 VSWR ≤ 1.20:1 @ 18GHz
- 1.6 INSERTION LOSS: 0.2dB

2. ENVIRONMENTAL:

- 2.1 TEMPERATURE RANGE: -55° to +165°

3. MATERIAL AND FINISH:

- 3.1 BODY: STAINLESS STEEL, PASSIVATE
- 3.2 CENTER CONTACT: BERYLLIUM COPPER, GOLD PLATING
- 3.3 DIELECTRIC: PEI, N/A

THIS DRAWING IS A CONTROLLED DOCUMENT.

DMN	DWP	17/12/2018
CHK		
APVD		

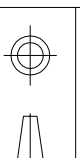
NAME: Jiangsu Zdecl Microwave Technology Co., Ltd.

PRODUCT SPEC: SMA Female TO SMA Female Flange Adapter

APPLICATION SPEC: SMA-KKFG

SIZE: A4  
PAGE CODE: 00779  
DRAWING NO: SMA-KKFG

DIMENSIONS MM



TOLERANCES UNLESS OTHERWISE SPECIFIED:

0 P.C.	±0.25
1 P.C.	±0.15
2 P.C.	±0.12
3 P.C.	±
ANGLES	±1°

FINISH

SEE TABLE
-----------

CUSTOMER DRAWING

WEIGHT

SCALE: 2:1  
SHEET: 1 OF 1  
R/E: 1