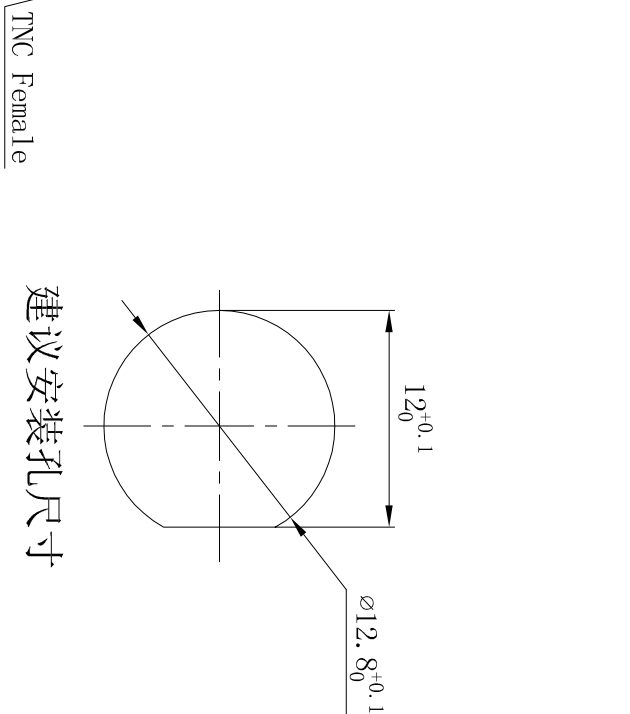
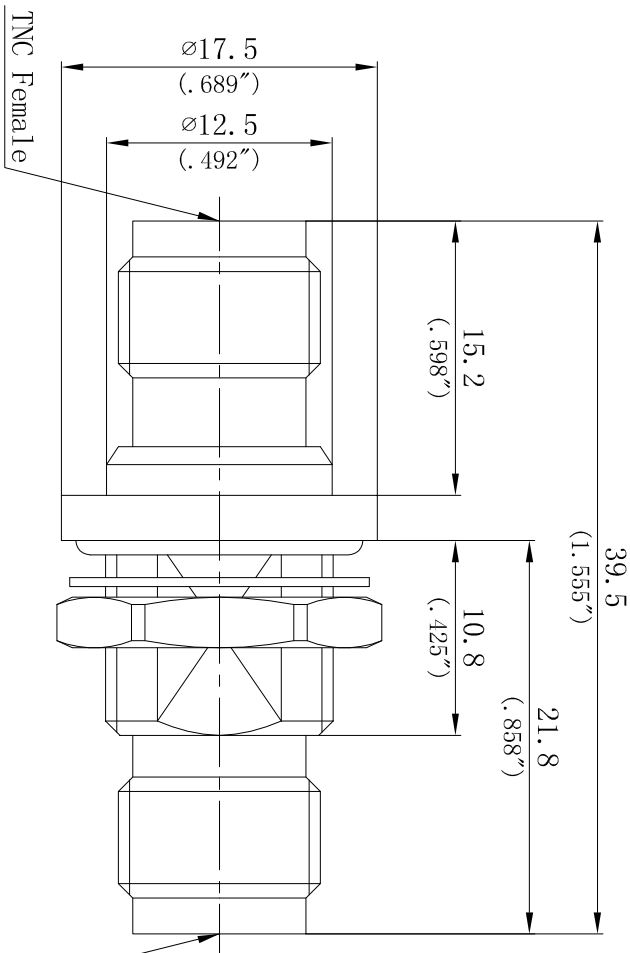


LOC	DIST	P	LTR	DATE	DMN	APVD
---	---	P	LTR	---	---	---



建议安装孔尺寸

TNC Female

TNC Female

- NOTES:
1. ELECTRICAL:
- 1.1 IMPEDANCE: 50Ω
 - 1.2 INSULATION RESISTANCE: 5000MΩ MIN
 - 1.3 FREQUENCY RANGE: DC~6GHz
 - 1.4 DIELECTRIC WITHSTANDING VOLTAGE: 1000V MAX AT SEA LEVEL
 - 1.5 VSWR ≤ 1.15:1 @ 6GHz
 - 1.6 INSERTION LOSS: 0.3dB
2. ENVIRONMENTAL:
- 2.1 TEMPERATURE RANGE: -55° to +165°
3. MATERIAL AND FINISH:
- 3.1 BODY: BRASS, NICKEL PLATING
 - 3.2 CENTER CONTACT: BERYLLIUM COPPER, GOLD PLATING
 - 3.3 DIELECTRIC: PTFE, N/A

THIS DRAWING IS A CONTROLLED DOCUMENT.

DIMENSIONS MM TOLERANCES UNLESS OTHERWISE SPECIFIED:

0 P/C	±0.25
1 P/C	±0.15
2 P/C	±0.12
3 P/C	±
4 P/C	±
ANGLES	±1°

DMN: DWP 25/07/2015

Jiangsu Zdec Microwave Technology Co., Ltd.

NAME: TNC Female TO TNC Female Adapter

SIZE: A4	CAGE CODE: 00779	DRAWING NO: TNC-KKY39.5T
----------	------------------	--------------------------

MATERIAL: SPE TABLE	FINISH: SPE TABLE	APPLICATION SPEC: CUSTOMER DRAWING	WEIGHT: ---
---------------------	-------------------	------------------------------------	-------------