

THIS DRAWING UNPUBLISHED.

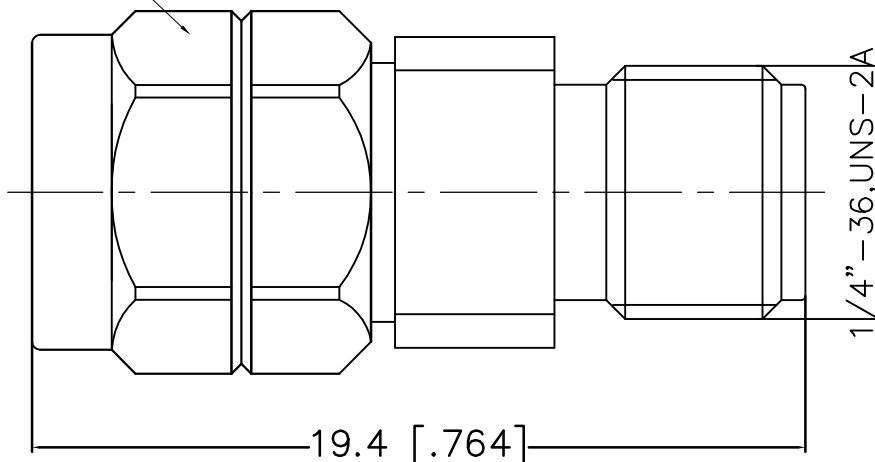
RELEASED FOR PUBLICATION

LOC DIST

REVISIONS

DATE DWN APVD

7.93(0.312)HEX



NOTES:

1.ELECTRICAL:

- 1.1 IMPEDANCE: 50Ω
- 1.2 INSULATION RESISTANCE: 5000MΩ MIN
- 1.3 FREQUENCY RANGE: DC~26.5GHz
- 1.4 DIELECTRIC WITHSTANDING VOLTAGE: 1000V MAX AT SEA LEVEL
- 1.5 VSWR: ≤1.20

2.ENVIRONMENTAL:

- 2.1 TEMPERATURE RANGE: -55° to +165°
- 2.2 DURABILITY: 500 CYCLES

3.MATERIAL AND FINISH:

BODY: BRASS, STAINLESS STEEL, PASSIVATE
 NUT: STAINLESS STEEL, PASSIVATE
 CENTER CONTACT: BERYLLIUM COPPER,
 GOLD PLATING
 DIELECTRIC: PEI, N/A

THIS DRAWING IS A CONTROLLED DOCUMENT.		DWN bob 18/02/2018		
		CHK		
DIMENSIONS MM	TOLERANCES UNLESS OTHERWISE SPECIFIED.	APVD	NAME	
	0 PLC ±0.25 1 PLC ±0.15 2 PLC ±0.12 3 PLC ± 4 PLC ± ANGLES ±1°	PRODUCT SPEC	2.4mm Male To 3.5mm Female Adaptors	
MATERIAL	FRESH	APPLICATION SPEC	SIZE	CAGE CODE
SEE TABLE	SEE TABLE		A3	00779
		WEIGHT	DRAWING NO	
			2.4/3.5-JK	
		CUSTOMER DRAWING		SCALE 4:1 SHEET 1 OF 1 RVE 1