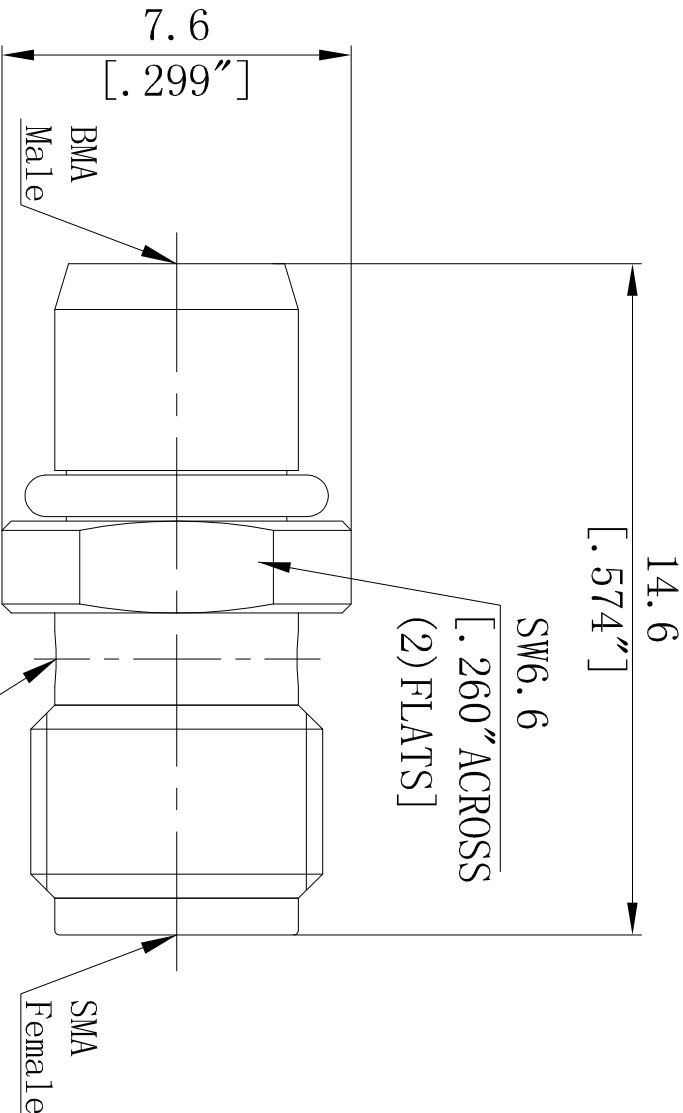


REV	DATE	DMN	APVD
1			

LOC	DIST	P	LTR



- NOTES:
1. ELECTRICAL:
- 1.1 IMPEDANCE: 50Ω
 - 1.2 INSULATION RESISTANCE: 5000MΩ MIN
 - 1.3 FREQUENCY RANGE: DC~6GHz
 - 1.4 DIELECTRIC WITHSTANDING VOLTAGE: 1000V MAX AT SEA LEVEL
 - 1.5 VSWR ≤ 1.15:1 @ 6GHz
2. ENVIRONMENTAL:
- 2.1 TEMPERATURE RANGE: -55° to +165°
3. MATERIAL AND FINISH:
- 3.1 BODY: BRASS, GOLD PLATING
 - 3.2 CENTER CONTACT: BERYLLIUM COPPER, GOLD PLATING
 - 3.3 DIELECTRIC: PTFE, N/A

THIS DRAWING IS A CONTROLLED DOCUMENT.

DMN	DWP	17/12/2018
CHK		

APVD	NAME	Jiangsu Zdecl Microwave Technology Co., Ltd.
	PRODUCT SPEC	BMC Male To SMA Female Adaptor

APPLICATION SPEC	SIZE	TAPE CODE	DRAWING NO
	A4	00779	BMA/SMA-JK

FINISH	WEIGHT	SCALE	SHEET	OF	R/E
SEE TABLE		2: 1	1	1	1

TOLERANCES UNLESS OTHERWISE SPECIFIED:	APPLICATION SPEC
0 P/C ±0.25	
1 P/C ±0.15	
2 P/C ±0.12	
3 P/C ±	
4 ANGLES 1°	

DIMENSIONS MM	SEE TABLE
MATERIAL	SEE TABLE