

4

3

2

1

D

D

C

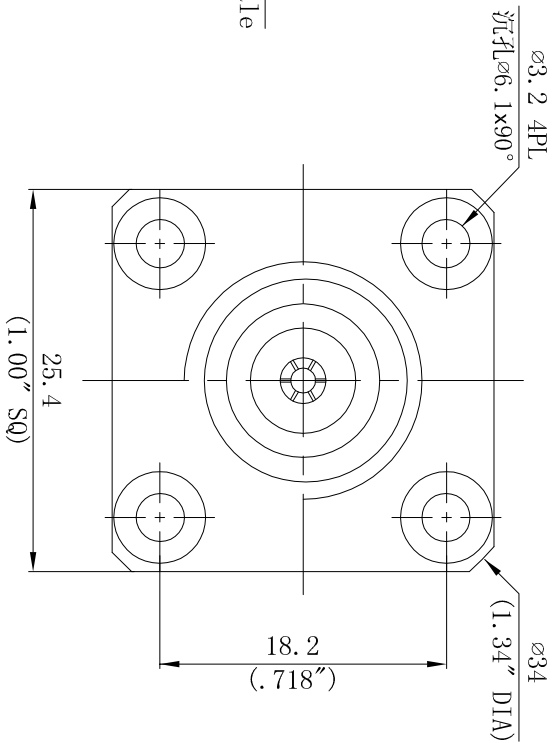
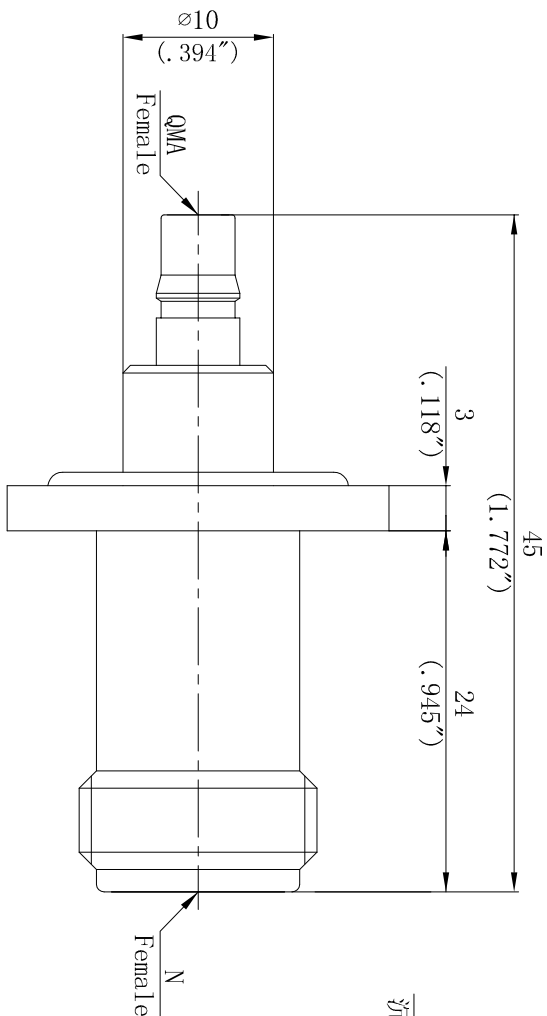
C

B

B

A

A



- NOTES:
1. ELECTRICAL:
- 1.1 IMPEDANCE: 50Ω
 - 1.2 INSULATION RESISTANCE: 5000MΩ MIN
 - 1.3 FREQUENCY RANGE: DC~6GHZ
 - 1.4 DIELECTRIC WITHSTANDING VOLTAGE: 1000V MAX AT SEA LEVEL
 - 1.5 VSWR ≤ 1.15:1 @ 6GHZ
 - 1.6 INSERTION LOSS: 0.3dB
2. ENVIRONMENTAL:
- 2.1 TEMPERATURE RANGE: -55° to +165°
3. MATERIAL AND FINISH:
- 3.1 BODY: BRASS, TERNARY ALLOY
 - 3.2 CENTER CONTACT: BERYLLIUM COPPER, GOLD PLATING
 - 3.3 DIELECTRIC: PTFE, N/A

THIS DRAWING IS A CONTROLLED DOCUMENT.

DIMENSIONS		TOLERANCES UNLESS OTHERWISE SPECIFIED:	
0 P/C	±0.25	1 P/C	±0.15
1 P/C	±0.15	2 P/C	±0.12
2 P/C	±	3 P/C	±
3 P/C	±	4 P/C	±
4 P/C	±	ANGLES	±

APPROD	DATE	25/07/2015
PRODUCT SPEC	APPLICAITON SPEC	WEIGHT
CUSTOMER DRAWING	SIZE	A4
NAME	QMA Female TO N Female Flange Adapter	QAGE CODE
00779	DRAWING NO	N/QMA-KKP

SCALE	2: 1	SHEET	1	OF	1	R/E	1
-------	------	-------	---	----	---	-----	---