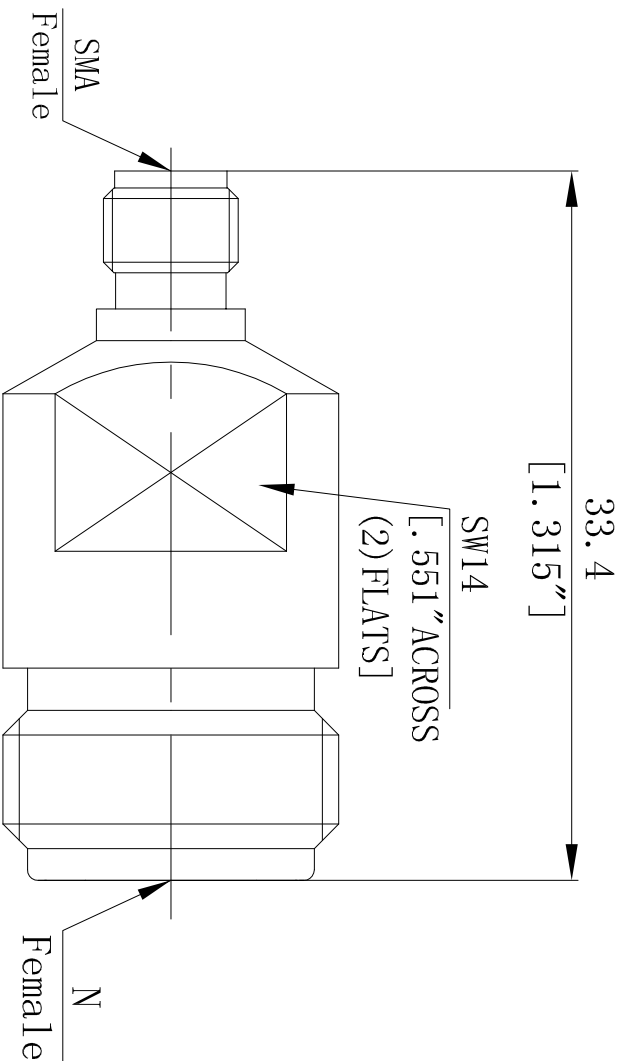


LOC	DIST	P	LTR	DATE	DMN	APVD
---	---	P	---	---	---	---



NOTES:

1. ELECTRICAL:

- 1.1 IMPEDANCE: 50Ω
- 1.2 INSULATION RESISTANCE: 5000MΩ MIN
- 1.3 FREQUENCY RANGE: DC~18GHz
- 1.4 DIELECTRIC WITHSTANDING VOLTAGE: 1000V MAX AT SEA LEVEL
- 1.5 VSWR ≤ 1.20:1 @ 18GHz
- 1.6 INSERTION LOSS: 0.2 dB

2. ENVIRONMENTAL:

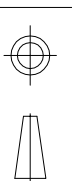
- 2.1 TEMPERATURE RANGE: -55° to +165°

3. MATERIAL AND FINISH:

- 3.1 BODY: STAINLESS STEEL, PASSIVATE
- 3.2 NUT: STAINLESS STEEL, PASSIVATE
- 3.3 CENTER CONTACT: BERYLLIUM COPPER, GOLD PLATING
- 3.4 DIELECTRIC: PTFE, N/A

THIS DRAWING IS A CONTROLLED DOCUMENT.

DMN	DWP	17/12/2018	<p>Jiangsu Zdecl Microwave Technology Co., Ltd.</p>
CHK			
DIMENSIONS MM			NAME
TOLERANCES UNLESS OTHERWISE SPECIFIED:			N Female To SMA Female Adaptor
0 P/C	±0.25	APVD	
1 P/C	±0.15	PRODUCT SPEC	
2 P/C	±0.12	APPLICATION SPEC	
3 P/C	±	WEIGHT	
ANGLES	1°	CUSTOMER DRAWING	



MATERIAL	SEE TABLE	FINISH	SEE TABLE	SIZE	TAGE CODE	DRAWING NO	SCALE	SHEET	OF	R/E
				A4	00779	N/SMA-KK	2:1	1	1	1