

4

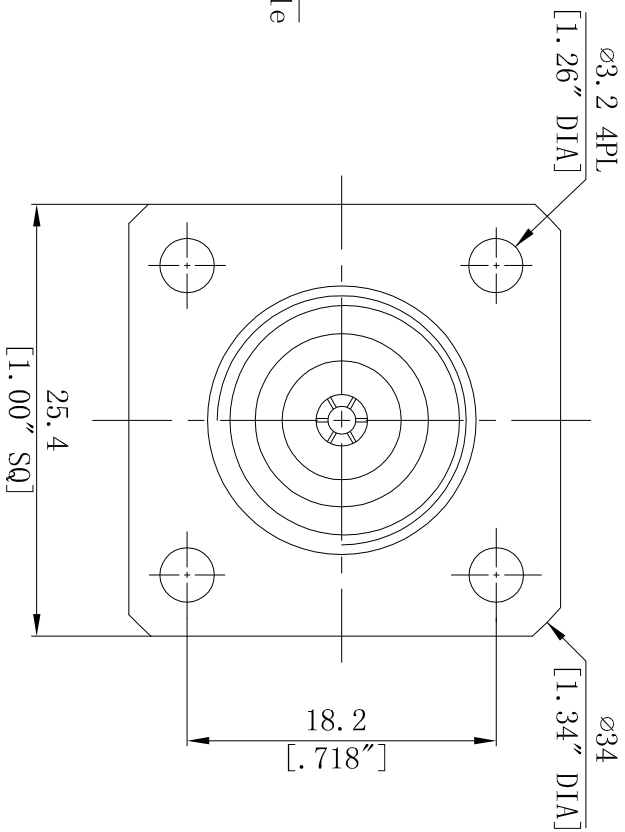
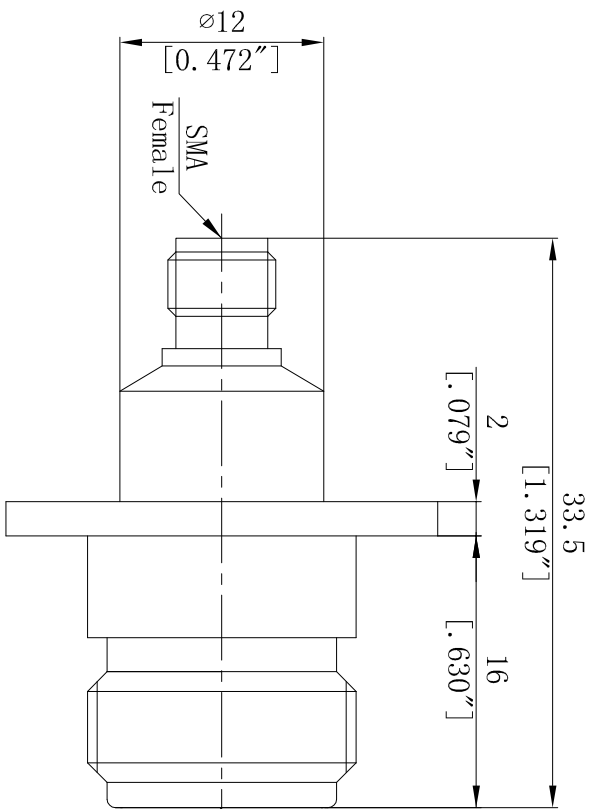
3

2

1

D

D



C

C

B

B

- NOTES:
- ELECTRICAL:
 - IMPEDANCE: 50Ω
 - INSULATION RESISTANCE: $50000 M \Omega$ MIN
 - FREQUENCY RANGE: DC~18GHz
 - DIELECTRIC WITHSTANDING VOLTAGE: 1000V MAX AT SEA LEVEL
 - VSWR $\leq 1.20:1 @ 18GHz$
 - INSERTION LOSS: 0.3dB

- ENVIRONMENTAL:
 - TEMPERATURE RANGE: -55° to $+165^{\circ}$

- MATERIAL AND FINISH:
 - BODY: STAINLESS STEEL, PASSIVATE
 - CENTER CONTACT: BERYLLIUM COPPER, GOLD PLATING
 - DIELECTRIC: PTFE, N/A

4

3

2

1

THIS DRAWING IS A CONTROLLED DOCUMENT.

DMN DWP 25/07/2015

DIMENSIONS

TOLERANCES UNLESS OTHERWISE SPECIFIED:

0 P/C ± 0.25

1 P/C ± 0.15

2 P/C ± 0.12

3 P/C \pm

4 P/C \pm

ANGLES $\pm 1^{\circ}$

APPRO

PRODUCT SPEC

APPLICATION SPEC

NAME

Jiangsu Zdecl Microwave Technology Co., Ltd.

SMA Female TO N Female Flange Adapter

SIZE A4

CAGE CODE 00779

DRAWING NO

SMA/N-KKF

SPE TABLE

SPE TABLE

CUSTOMER DRAWING

SCALE 2:1

SHEET 1 OF 1

R/E 1

A

A