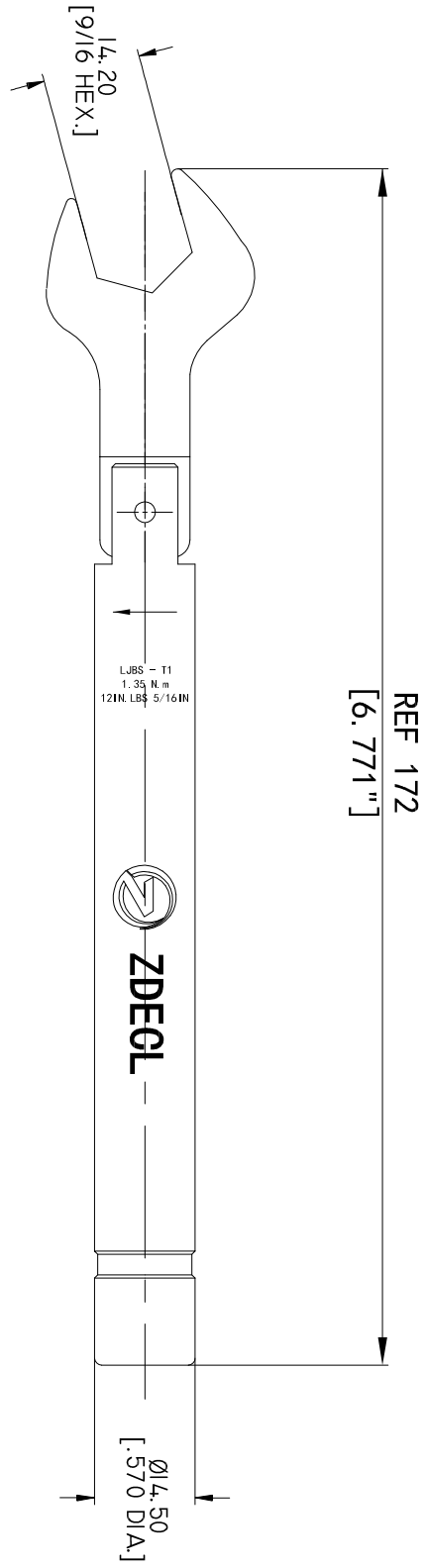


REVISIONS

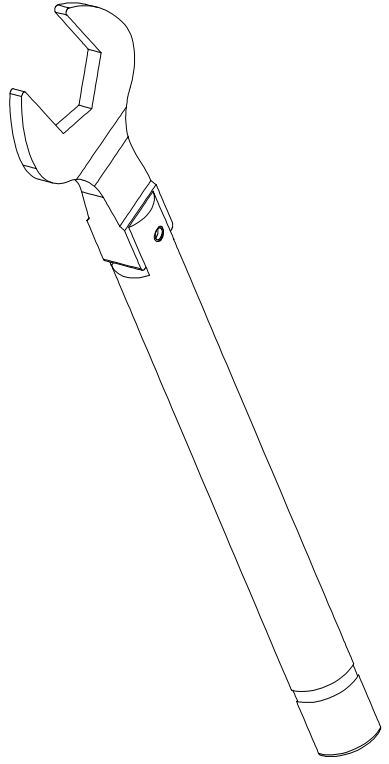
LOC	DIST	P	LTR	DATE	DMN	APVD
---	---	---	---	---	---	---

- MATERIAL & FINISH:**
1. HEAD: STAINLESS STEEL, PASSIVATED
 2. HANDLE: ALUMINUM, OXIDATION
 3. SPRING: MANGANESE ALLOY
 4. STEEL BALL: STAINLESS STEEL, PASSIVATED
 5. SPRING PIN: STAINLESS STEEL, PASSIVATED
 6. OTHER METAL: STAINLESS STEEL, PASSIVATED



REF 172
[6.771"]

1. TORQUE VALUE: 1.36 ± 0.05 NM [12 ± 0.48 IN. LBS]
2. SIZE: 14.2 MM [9/16 IN.]
3. PRINT CONTENT ON HANDLE (WHITE COLOR): ZDEGL LOGO



THIS DRAWING IS A CONTROLLED DOCUMENT.

DIMENSIONS MM		TOLERANCES UNLESS OTHERWISE SPECIFIED:		DMN	DWP	17/12/2018	NAME	
0 P.L.C. ±0.25		1 P.L.C. ±0.15		CHK			Jiangsu Zdecl Microwave Technology Co., Ltd.	
2 P.L.C. ±0.12		3 P.L.C. ±		APVD			TORQUE WRENCH FOR TNG TYPE CONNECTORS (STAINLESS STEEL)	
ANGLES 1°		FINISH		PRODUCT SPEC			PRESET TORQUE= 1.36 ± 0.05 NM [12 ± 0.48 IN. LBS]	
SEE TABLE		SEE TABLE		APPLICATION SPEC			HEX SIZE 14.2 MM [9/16 IN.]	
MATERIAL		FINISH		WEIGHT			SIZE	TAGE CODE
SEE TABLE		SEE TABLE		CUSTOMER DRAWING			A4	00779
							DRAWING NO	
							LJBS-T1	
							SCALE	2: 1
							SHEET	1 OF 1
							R/E	1